

PRODUCT DATA SHEET

SikaCor® SW-1000 RepaCor

Repair coating / putty with 100 % volume solids
Mechanically- and UV-resistant protective coating in easy-to-use-cartridge

Made in Germany

DESCRIPTION

SikaCor® SW-1000 RepaCor is an abrasion resistant, innovative 2-pack coating / putty for maintenance or repair of (mechanically) damaged coating areas.

USES

Corrosion protection for On- and Offshore (wind turbines), for hydraulic engineering (sluiceways, steel sheet piles etc.) or other elevated steel structures if a simple, high performance and durable repair coating is required.

CHARACTERISTICS / ADVANTAGES

- Solvent-free, 100 % solids, CMR-free
- Easy-to-use packaging for difficult repair jobs
- Single layer coating
- Early water resistance and under water cure
- Surface tolerant - can be used on many substrates as manual derusting, stainless steel, galvanization or aluminium, even on foreign coatings (except siloxane based coatings)
- Corrosion protection at 500 µm, similar to original shop coating
- Diffusion resistant
- Plate like glass flakes increase coating strength
- Impact and abrasion resistant
- Color stable
- If required overcoatable with 2-pack-PUR topcoats

APPROVALS / CERTIFICATES

- Tested acc. ISO 20340, certified by Fraunhofer-Institut für Fertigungstechnologie und Angewandte Materialforschung (IFAM), Bremen.

PRODUCT INFORMATION

Packaging	Cartridge with 295 g, 12 cartridges per box, 60 boxes on palett.
Appearance and colour	RAL 1023 (colour shade approved acc. to WSA-TR05), RAL 7035. Slight colour deviations are possible due to raw material characteristics.
Shelf life	24 months
Storage conditions	In originally sealed cartridges in a cool and dry environment.
Density	~1.5 kg/l
Solid content	~100 % by volume ~100 % by weight

TECHNICAL INFORMATION

Chemical resistance	Resistant to industrial and marine environments, fresh-, brackish- and salt water, neutral salts, mineral oil and heating oil, grease and oils, detergents etc.
Temperature resistance	Dry heat up to approx. + 100°C. Damp heat and warm water up to approx. + 40°C. For significant differential of temperature gradient please contact Sika.

SYSTEM INFORMATION

System	1 x SikaCor® SW-1000 RepaCor In case of deviating color shades SikaCor® SW-1000 RepaCor can be overcoated with common 2-pack PUR topcoats as for example SikaCor® EG-5, Sika® Permacor®-2230 VHS or Sika® Permacor®-2330. For external cathodic protection systems a minimum dry film thickness of 1000 µm is necessary.
---------------	---

APPLICATION INFORMATION

Mixing ratio	By volume: appr. 2 : 1, self mixing due to 2-part cartridges with static mixer.												
Thinner	Do not dilute SikaCor® SW-1000 RepaCor!												
Consumption	Theoretical material-consumption/coverage without loss for medium dry film thickness: <table><tr><td>Dry film thickness</td><td>500 µm</td><td>1000 µm</td></tr><tr><td>Wetfilm thickness</td><td>500 µm</td><td>1000 µm</td></tr><tr><td>Consumption</td><td>0.750 kg/m²</td><td>1.500 kg/m²</td></tr><tr><td>Coverage</td><td>1.35 m²/kg</td><td>0.65 m²/kg</td></tr></table>	Dry film thickness	500 µm	1000 µm	Wetfilm thickness	500 µm	1000 µm	Consumption	0.750 kg/m ²	1.500 kg/m ²	Coverage	1.35 m ² /kg	0.65 m ² /kg
Dry film thickness	500 µm	1000 µm											
Wetfilm thickness	500 µm	1000 µm											
Consumption	0.750 kg/m ²	1.500 kg/m ²											
Coverage	1.35 m ² /kg	0.65 m ² /kg											
Material temperature	Min. + 10°C												
Relative air humidity	Max. 85 %, except the surface temperature is significantly higher than the dew point temperature, it shall be at least 3 K above dew point. The surface must be dry and free from ice.												
Surface temperature	Min. 0°C												
Pot Life	At + 20°C approx. 20 minutes. If cartridge is closed properly usable for approx. 30 days.												
Drying stage 6	~1 h for 500 µm dry film thickness at + 20°C. (ISO 9117-5) Note: except temperature, the drying time is also dependent from the relative air humidity.												
Waiting time to overcoating	Overcoating with 2-pack PUR topcoats: Min.: 6 h at 18 - 25 °C.												
Drying time	At + 20°C final curing is reached after 1 week. Material also cures under water.												

BASIS OF PRODUCT DATA

All technical data stated in this Data Sheet are based on laboratory tests. Actual measured data may vary due to circumstances beyond our control.

ECOLOGY, HEALTH AND SAFETY

User must read the most recent corresponding Safety Data Sheets (SDS) before using any products. The SDS provides information and advice on the safe handling, storage and disposal of chemical products and contains physical, ecological, toxicological and other safety-related data.

APPLICATION INSTRUCTIONS

SURFACE PREPARATION

Steel:

Repairing areas must be power tool grinded to P Ma – P St3 until a metallic sheen is arising or tensioned wire blast cleaning to P Sa 2 ½ acc. ISO 12944-4.

Free from dirt, oil and grease.

Average roughness depth RZ ≥ 30 µm!

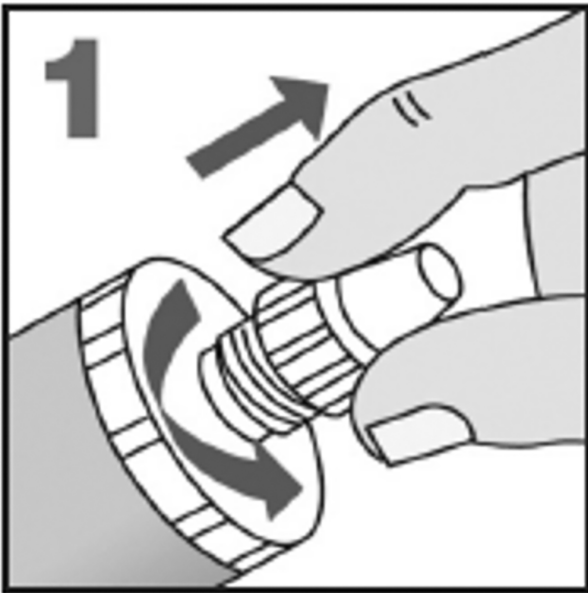
Other surfaces than steel:

Please contact Sika!

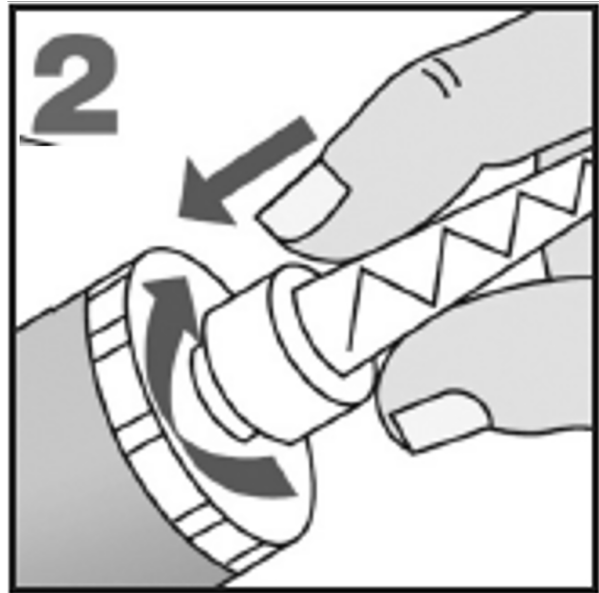
APPLICATION

Provide cartridge:

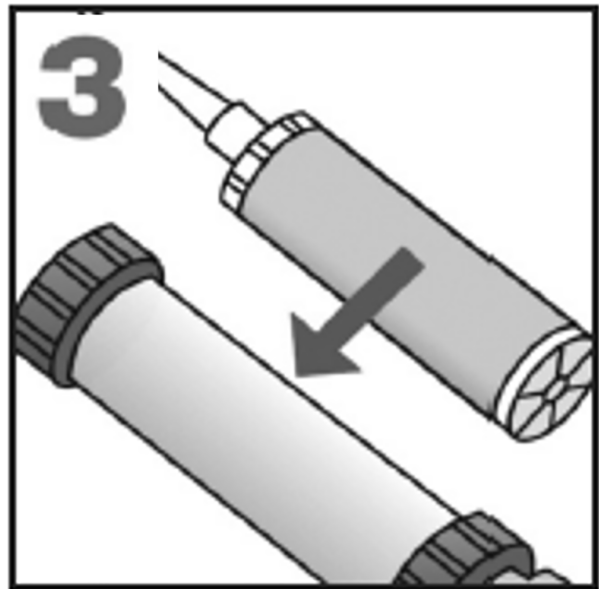
1. Unscrew the cartridge, remove cap.



2. Screw on the static mixer.



3. Place the cartridge in the gun.



Pressing on the cartridge shortly until uniform coloured material comes out (approx. 1 cm). Start application by putty or brush.

When work is interrupted the static mixer can remain on the cartridge after the gun pressure has been relieved. In the static mixer material can remain up to 20 minutes at + 20 °C. If the material hardened in the static mixer, the static mixer must be replaced.

PRODUCT DATA SHEET

SikaCor® SW-1000 RepaCor
January 2022, Version 05.02
020602000140000013

CLEANING OF EQUIPMENT

Sika® Thinner P,
Sika® Handclean for dirty hands

LOCAL RESTRICTIONS

Note that as a result of specific local regulations the declared data and recommended uses for this product may vary from country to country. Consult the local Product Data Sheet for the exact product data and uses.

LEGAL NOTES

The information, and, in particular, the recommendations relating to the application and end-use of Sika products, are given in good faith based on Sika's current knowledge and experience of the products when properly stored, handled and applied under normal conditions in accordance with Sika's recommendations. In practice, the differences in materials, substrates and actual site conditions are such that no warranty in respect of merchantability or of fitness for a particular purpose, nor any liability arising out of any legal relationship whatsoever, can be inferred either from this information, or from any written recommendations, or from any other advice offered. The user of the product must test the product's suitability for the intended application and purpose. Sika reserves the right to change the properties of its products. The proprietary rights of third parties must be observed. All orders are accepted subject to our current terms of sale and delivery. Users must always refer to the most recent issue of the local Product Data Sheet for the product concerned, copies of which will be supplied on request.

Sika Deutschland GmbH

Industrial Coatings
Rieter Tal
D-71665 Vaihingen / Enz
Phone: +49 (0)7042 109-0
industrial-coatings@de.sika.com
www.sika.de



PRODUCT DATA SHEET

SikaCor® SW-1000 RepaCor
January 2022, Version 05.02
020602000140000013

SikaCorSW-1000RepaCor-en-DE-(01-2022)-5-2.pdf

